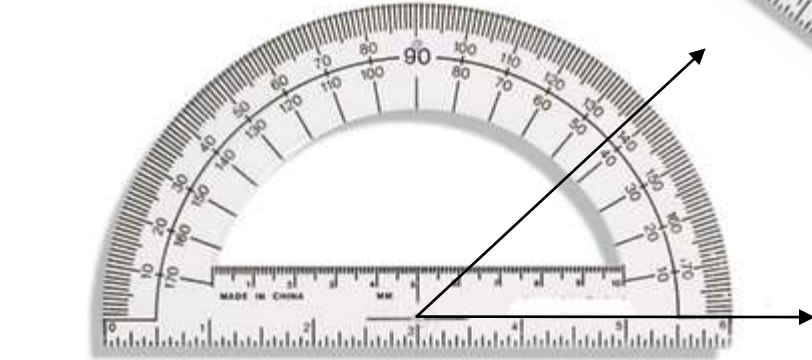
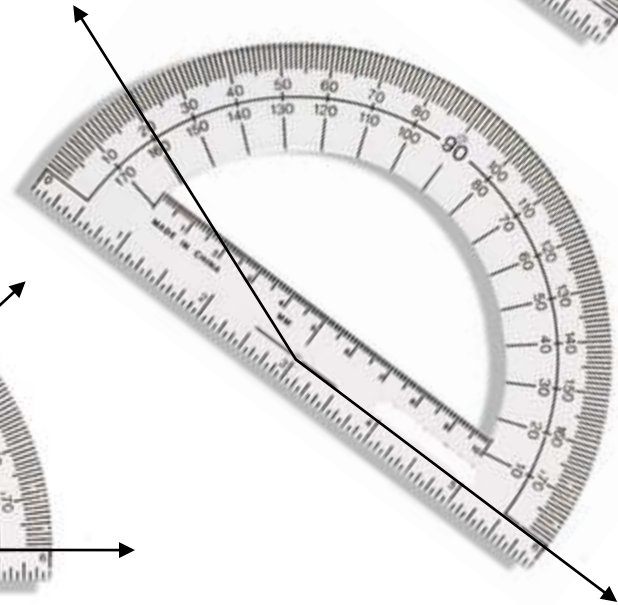
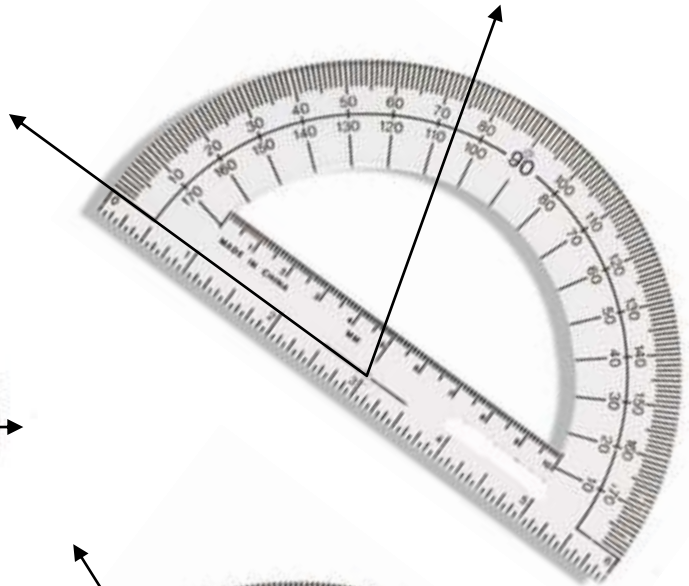
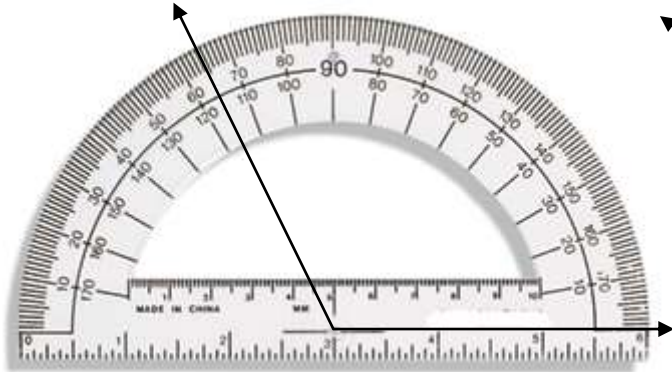


Measuring Angles Assignment Part 2

Goal: To measure angles using a protractor.



When using a protractor, you must use it correctly. What are the two things you need to do when using a protractor?

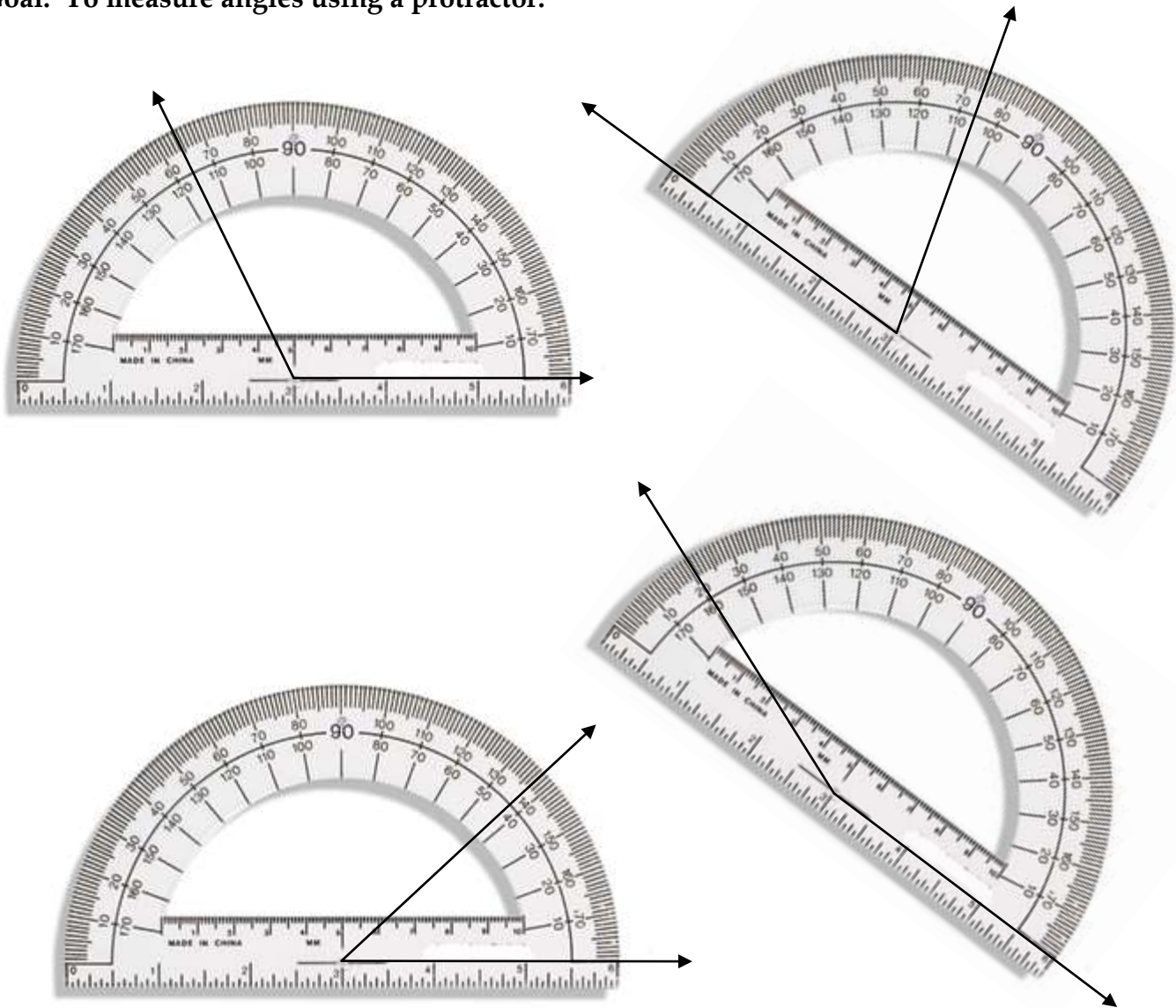
1. _____

2. _____

Measuring Angles Assignment Part 2

ANSWERS

Goal: To measure angles using a protractor.



When using a protractor, you must use it correctly. What are the two things you need to do when using a protractor?

1. **PLACE THE ORIGIN OVER THE VERTEX OF THE ANGLE.**
2. **ROTATE THE PROTRACTOR SO THAT ONE LEG IS ALIGNED WITH THE BASELINE OF THE PROTRACTOR**

Name: _____ Period: _____ Date: _____

Measuring Angles Assignment Part 2